

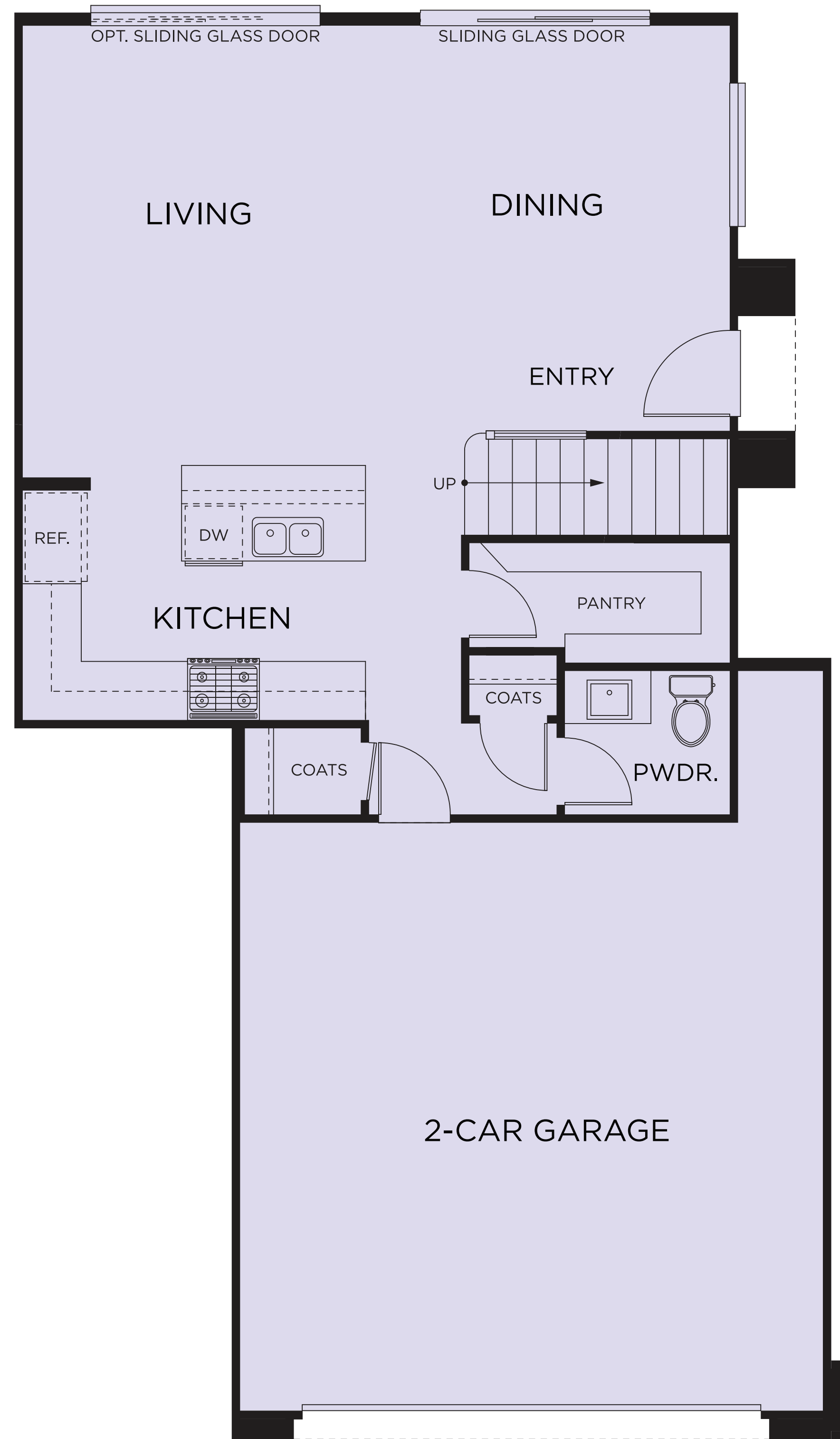
Residence Three

1,835 Sq. Ft.

UP TO 4 Bedrooms

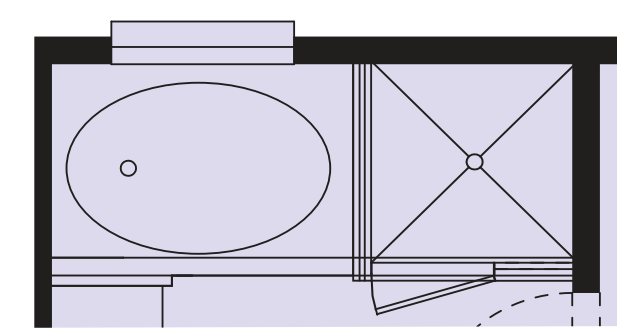
2.5 Bathrooms

- Private Yard for Outdoor Living and Entertaining
- Walk-in Pantry
- Energy Saving Tankless Water Heater
- Full 2-Car Side-by-side Garage

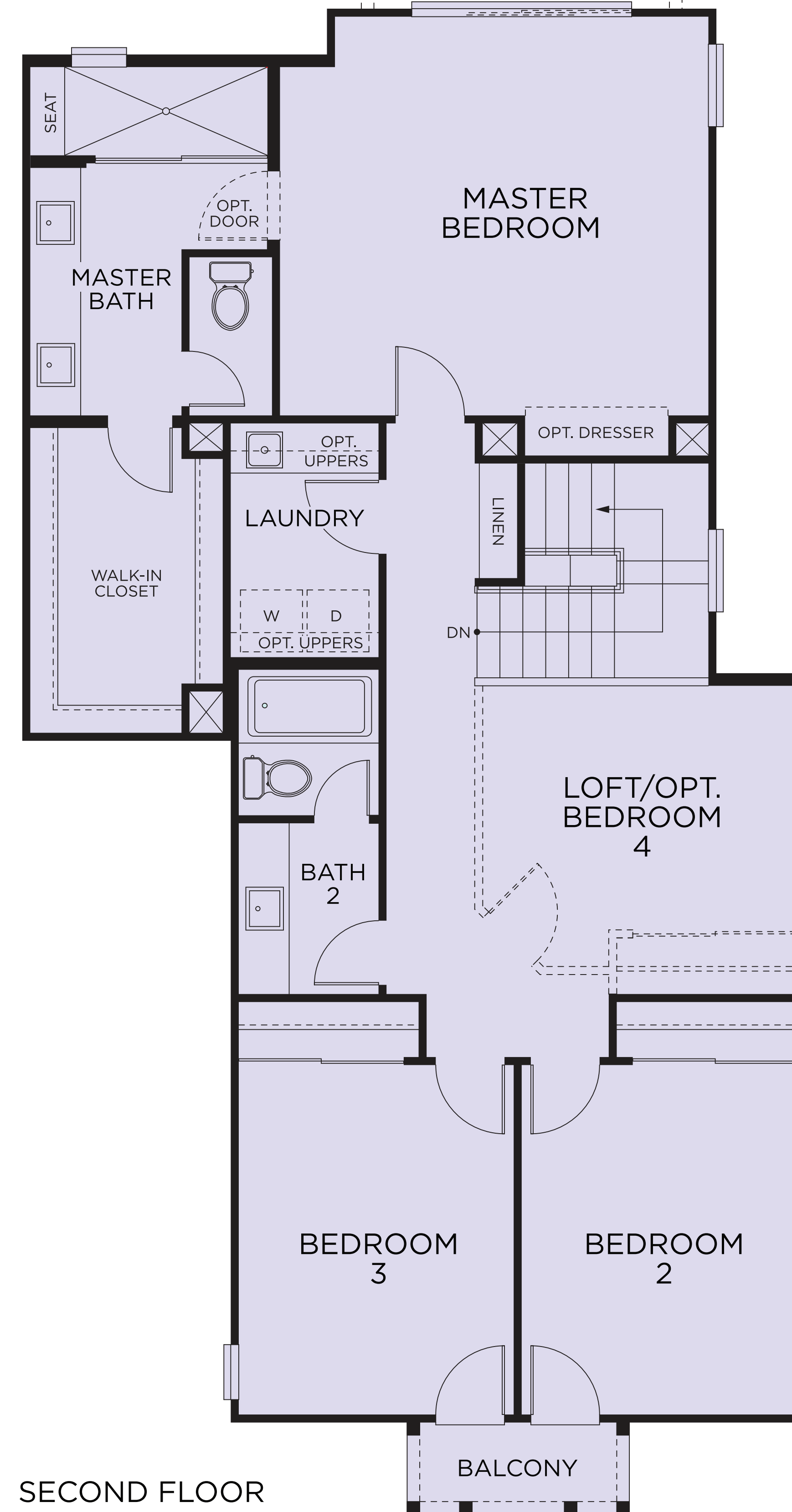


FIRST FLOOR

OPT. TUB AND SHOWER



OPT. BALCONY
W/ SLIDING GLASS DOOR



SECOND FLOOR

- Optional Balcony at Master
- Generous Master Suite with Large Walk-in Closet
- Interior Laundry Room with Sink
- Loft or Bedroom 4
- Spacious Secondary Bedrooms